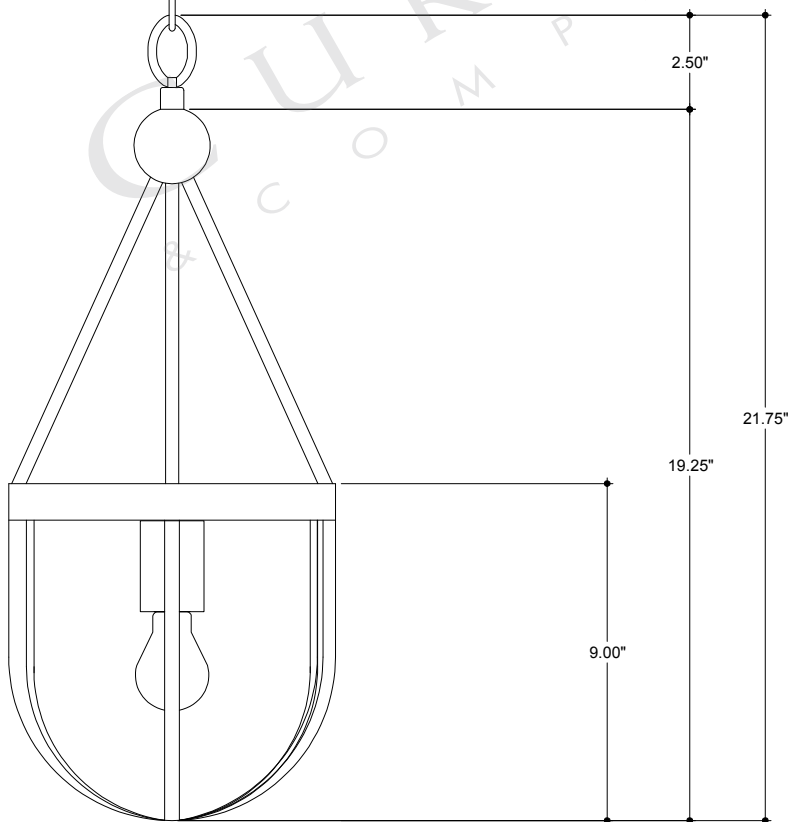
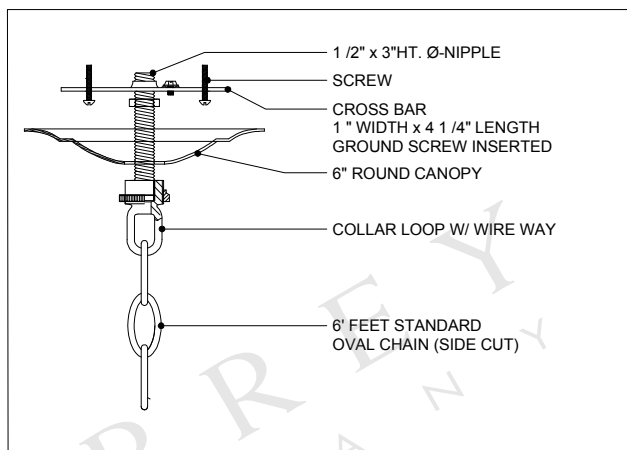
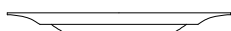


TOP VIEW



FRONT VIEW